



**Electrolux**  
PROFESSIONAL

**Modular Cooking Range Line  
900XP 200 mm Closed Base**

ITEM # \_\_\_\_\_

MODEL # \_\_\_\_\_

NAME # \_\_\_\_\_

SIS # \_\_\_\_\_

AIA # \_\_\_\_\_



391220 (E9BANB00C0) Closed Base, 900XP

**Short Form Specification**

Item No. \_\_\_\_\_

To be installed below other 900XP top units in island type installations with operations from one side. Body and internal structure of unit entirely in stainless steel. Delivered with 150 mm height adjustable feet.

**Main Features**

- Unit can be easily installed below other 900 line top models.
- Unit delivered with adjustable (50mm adaptable range) feet in AISI 304 stainless steel.

**Construction**

- Constructed in Stainless steel with Scotch Brite finish to meet the highest hygiene standards.

**Optional Accessories**

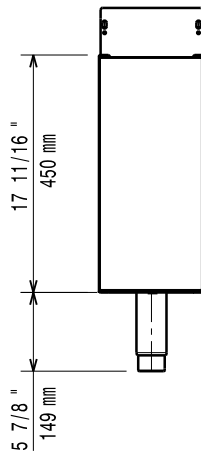
- Flanged feet kit PNC 206136
- Frontal kicking strip for concrete installation, 200mm PNC 206146
- Frontal kicking strip for concrete installation, 400mm PNC 206147
- Frontal kicking strip for concrete installation, 800mm PNC 206148
- Frontal kicking strip for concrete installation, 1000mm PNC 206150
- Frontal kicking strip for concrete installation, 1200mm PNC 206151
- Frontal kicking strip for concrete installation, 1600mm PNC 206152
- Pair of side kicking strips for concrete installation PNC 206157
- Frontal kicking strip, 200mm (not for refr-freezer base) PNC 206174
- Frontal kicking strip, 400mm (not for refr-freezer base) PNC 206175
- Frontal kicking strip, 800mm (not for refr-freezer base) PNC 206176
- Frontal kicking strip, 1000mm (not for refr-freezer base) PNC 206177
- Frontal kicking strip, 1200mm (not for refr-freezer base) PNC 206178
- Frontal kicking strip, 1600mm (not for refr-freezer base) PNC 206179
- Kit 4 feet for concrete installation (not for 900 line free standing grill) PNC 206210
- 2 side covering panels, height 700 mm, depth 900 mm PNC 206335
- 2 side covering panels for free standing appliances PNC 216134

APPROVAL: \_\_\_\_\_

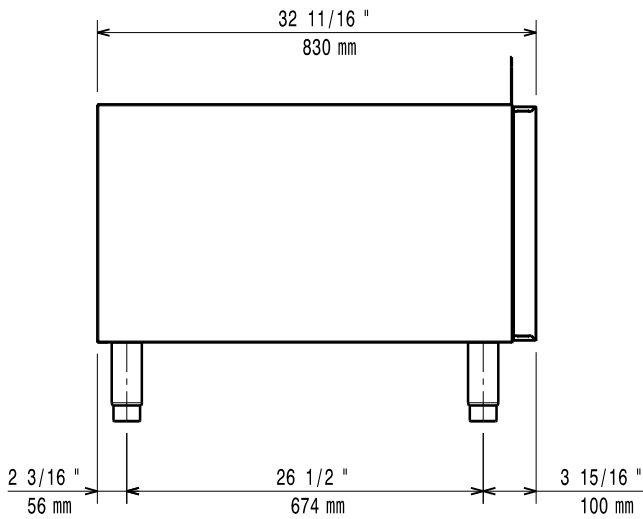


Experience the Excellence  
www.electroluxprofessional.com

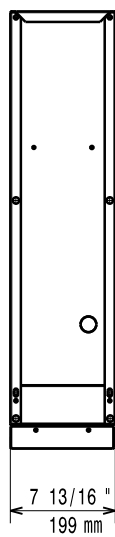
Front



Side



Top



**Key Information:**

External dimensions, Width:	
391220 (E9BANB00C0)	200 mm
External dimensions, Depth:	900 mm
External dimensions, Height:	600 mm
Net weight:	14 kg